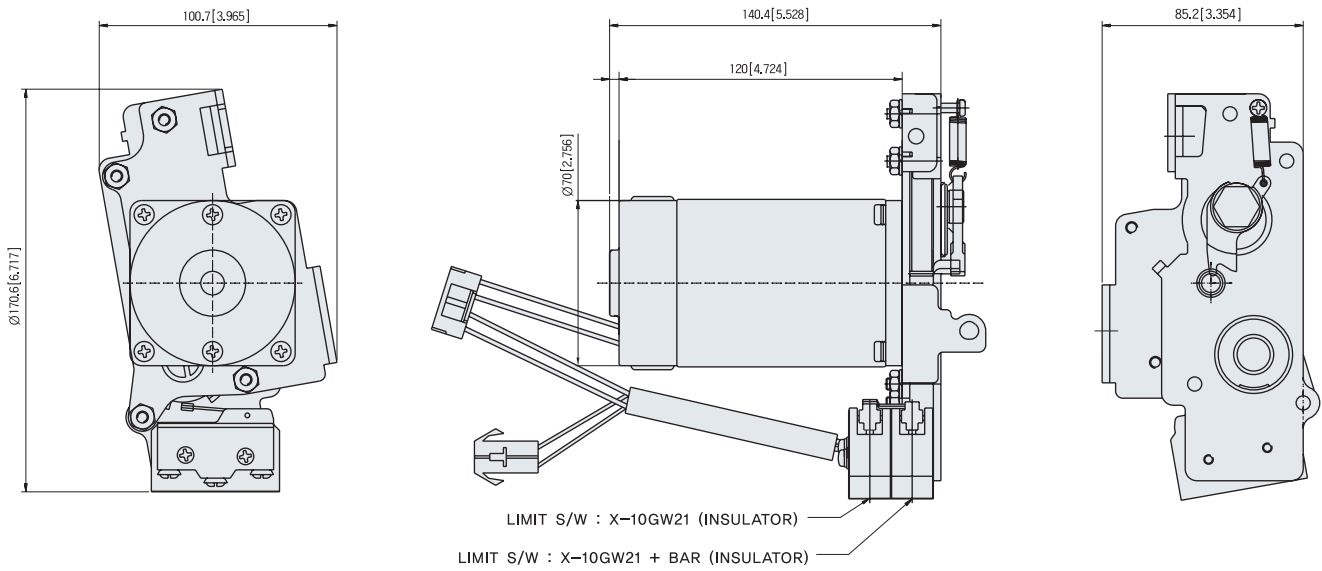


SPECIAL TYPE

HEAVY-ELECTRIC DC MOTOR

MOTOR DIMENSION

UNIT : mm[inch]



MOTOR SPECIFICATION

Type	Voltage	Output	No Load		Rated Lod			Run Duty	Weight (Only motor)
			Revolution	Current	Revolution	Torque	Current		
	V	W	RPM	A	RPM	kg · cm(oz · in)	A	Hr	Kg(oz)
S7D200-110GH(OB51)	110	220	4000	MAX,0,3	3250	6,0(83,33)	2,4	1000	2,4(84,7)
S7D225-125GH(OB52)	125	225	4500	MAX,0,3	3650	6,0(83,33)	2,4	1000	2,4(84,7)
S7D200-220GH(OB53)	220	200	4000	MAX,0,2	3250	6,0(83,33)	1,2	1000	2,4(84,7)
S7D150-24GH(OB54)	24	150	3800	MAX,1,0	2450	6,0(83,33)	11,0	1000	2,4(84,7)
S7D175-48GH(OB55)	48	175	3850	MAX,0,5	2850	6,0(83,33)	5,5	1000	2,4(84,7)

※ Run duty is valued at rated Voltage and No load